



ENGINEERED FOR MOTION

NexGen CapTouch Series Capacitive Touch Door Activator Switches



#NG-CT-HSS



#NG-CT-P

actuator that is both stylish and tough. NexGen switches are extremely thin and utilize no moving parts. The 4" faceplate is bordered by a clear bezel edge that illuminates upon activation.

Their hands free operation makes them ideal for ADA applications. Other applications include clean-room access points, request-to-exit devices (1 amp contact), and point-of-purchase displays. The NexGen Capacitive Touch switch is microprocessor controlled, allowing for superior operation in a smaller unit.

Technical Data

- ADA Compliant Operation
- Faceplates Available in Various Finishes
- Microprocessor-Controlled Capacitive Touch
- 12 to 24V AC or DC Operation
- Form C Relay Output
- Heavy Duty 1 Amp Contact

Operating Distance

Adjustable from touch (0") to 1"

Unit Size

4.5"W x 4.5"H x 0.75"D

Face Plate Sizes

Fits Single-gang or 2-gang Box

4 1/2"W x 4 1/2"H

Fits Single-Gang Box

2 3/4"W x 4 1/2"H

Face Plate Finish

Standard: Brushed Stainless Steel
For Special Finishes Contact Factory

Temperature

-13°F to 140°F (-25°C to 60°C)

Recommended For Interior Use

Product Name

NexGen CapTouch Series

Capacitive Touch Door Activator Switches

Contact Information

MS SEDCO
7898 Zionsville Road
Indianapolis, IN 46268
Phone: (317) 842-2545
www.mssedco.com

Product Description

BASIC USE

The NexGen CapTouch Series actuator is the next generation of automatic door activation switch. The NexGen CT combines the latest advances in capacitive sensing technology with durable composite plastics, to create an

SPECIFICATIONS

Activation Method

NexGen technology using digital burst mode charge transfer sensor for detecting near proximity or touch.

Input Voltage

12V to 24V AC or DC, not polarity sensitive

Input Current

Nominal ± 15mA @24V AC
Activated ± 40mA @ 24V AC

Relay Contacts

Form C rated at 1 amp @ 24V DC (resistive)

092017

NexGen CapTouch Series Capacitive Touch Door Activator Switches



ENGINEERED FOR MOTION

APPLICABLE STANDARDS

American National Standards Institute (ANSI) - Building Hardware Manufacturers Association (BHMA) - ANSI/BHMA A156.10 & A156.19.

devices for specific uses and to provide onsite installation.

DIMENSIONS

Installation

Refer to MS SEDCO Installation Instructions.

Availability & Cost

AVAILABILITY

Available internationally from manufacturer's authorized distributors; contact MS SEDCO for the location of the nearest distributor.

COST

Cost information on MS SEDCO products is available from the manufacturer's authorized distributors.

Warranty

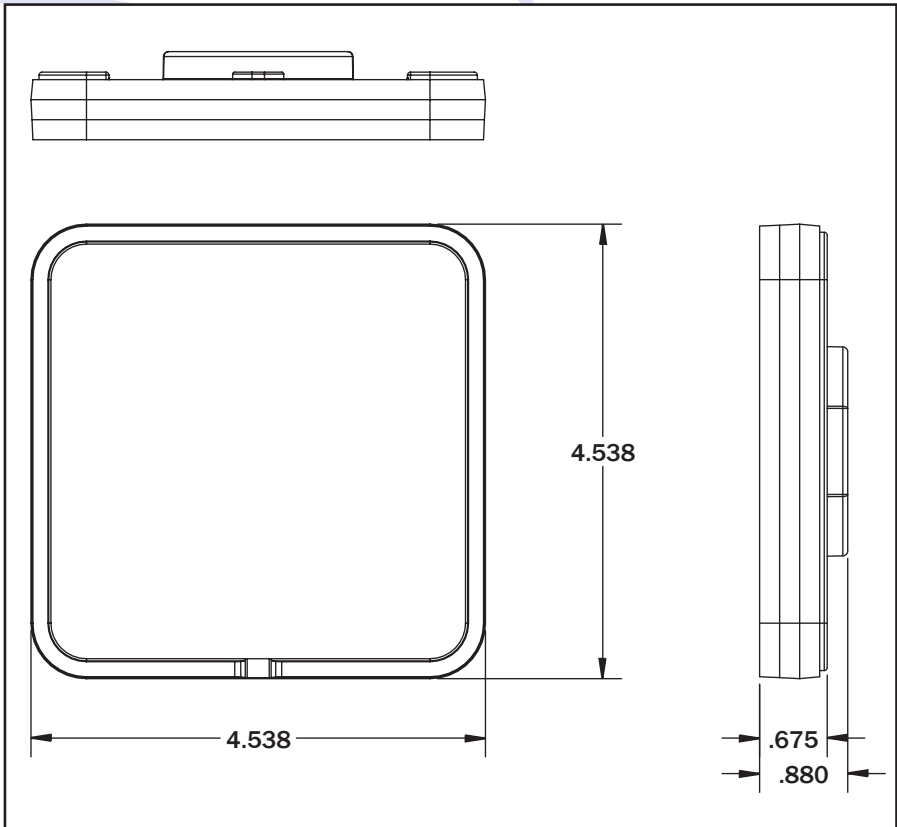
A one year warranty is available from the manufacturer covering defects in materials and workmanship. Contact MS SEDCO for details.

Maintenance

MS SEDCO recommends that all maintenance and adjustments be performed by an AAADM Certified Technician.

Technical Services

MS SEDCO's staff of factory trained sales and service personnel offer design assistance and technical support. Local distributors are also available to assist in selecting appropriate



092017